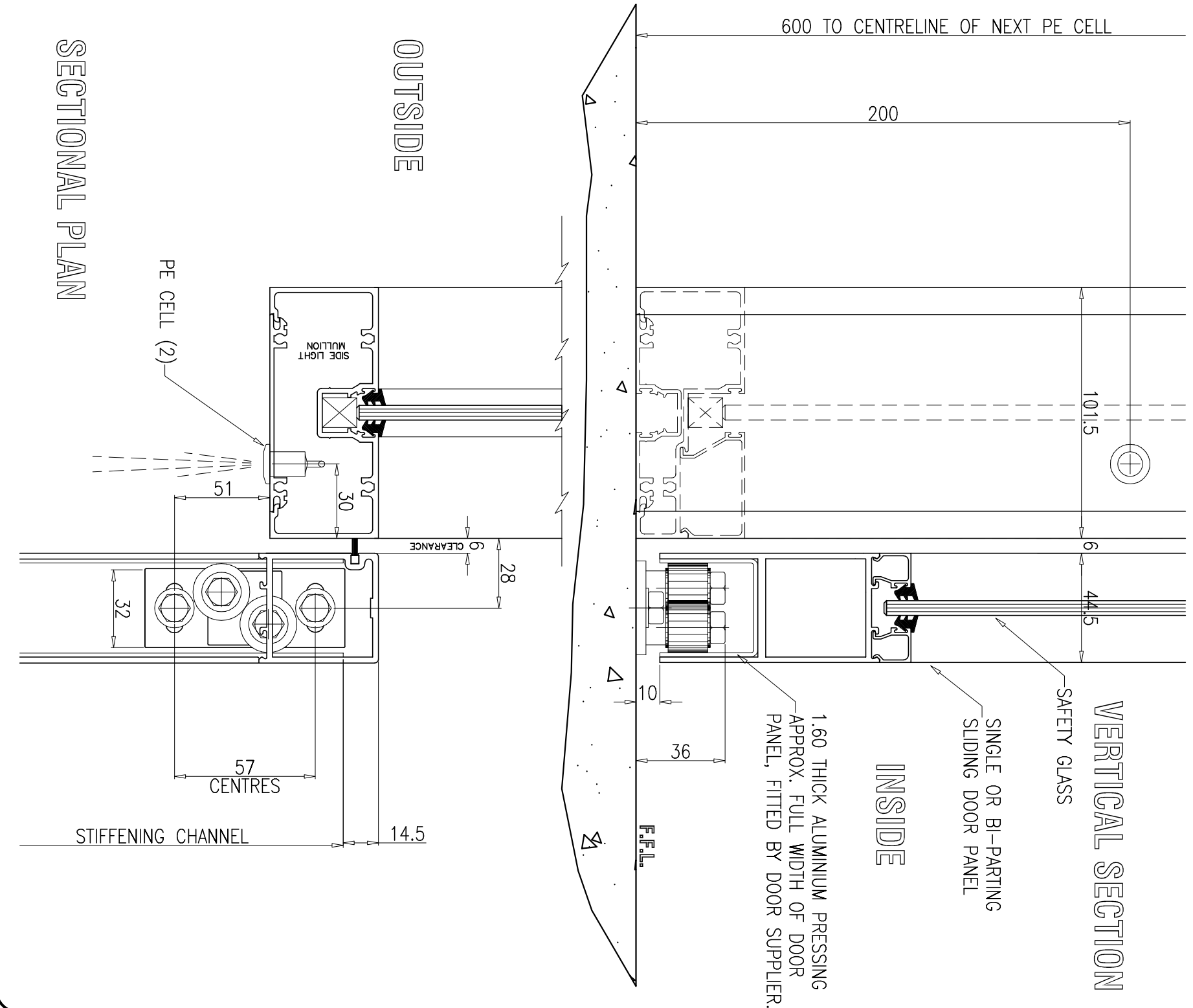
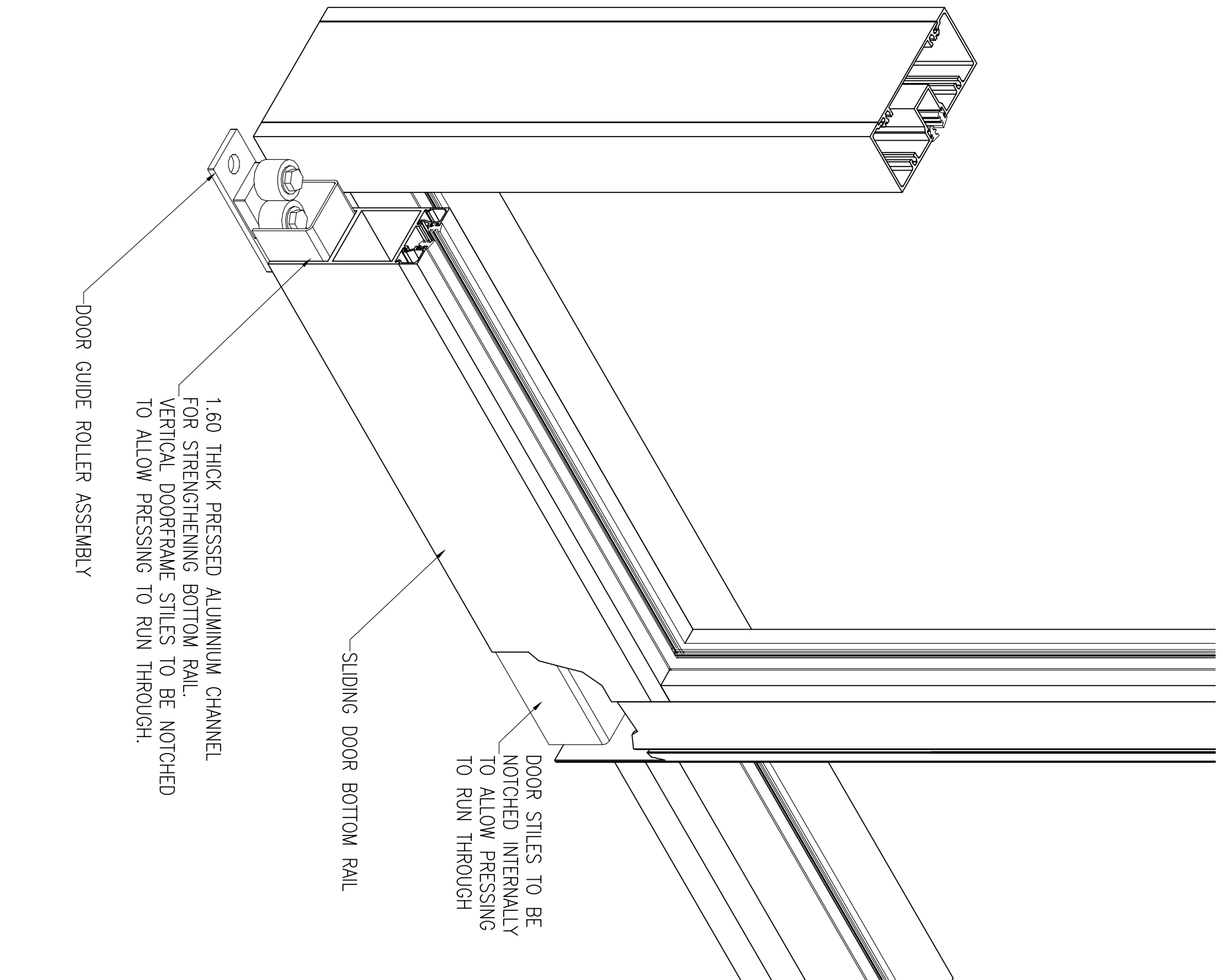


COPYRIGHT
The concepts and information contained in this document are the copyright of Byrnes Entrance Technology. Using or copying this document (or any part of it) without the written permission of Byrnes Entrance Technology would constitute an infringement of that copyright.

Issue	Date	Amendment	Dwgn.
-	-	-	-
-	-	-	-
-	-	-	-
-	-	-	-
-	-	-	-
-	-	-	-
-	-	-	-
-	-	-	-



TITLE
BET-2100
FRAMED GLASS SLIDING DOOR
RECOMMENDED
BOTTOM RAIL STRENGTHENING
AND FLOOR GUIDE

Byrnes Entrance Technology
Unit 4 Corner Bay & Atkinson Roads
TAREN POINT NSW 2229
Tel: 02 9531 5559 Fax: 02 9531 5551
Email: byrneset@byrneset.com.au

DRAWN	DATE	SCALE
JmJones	2010	NTS
SHEET SIZE	DRAWING NUMBER	SHEET No.
A3	2100-05	-
		ISSUE
		-