

**COPYRIGHT**  
 The concepts and information contained in this document are the copyright of Byrnes Entrance Technology. Using or copying this document (or any part of it) without the written permission of Byrnes Entrance Technology would constitute an infringement of that copyright.

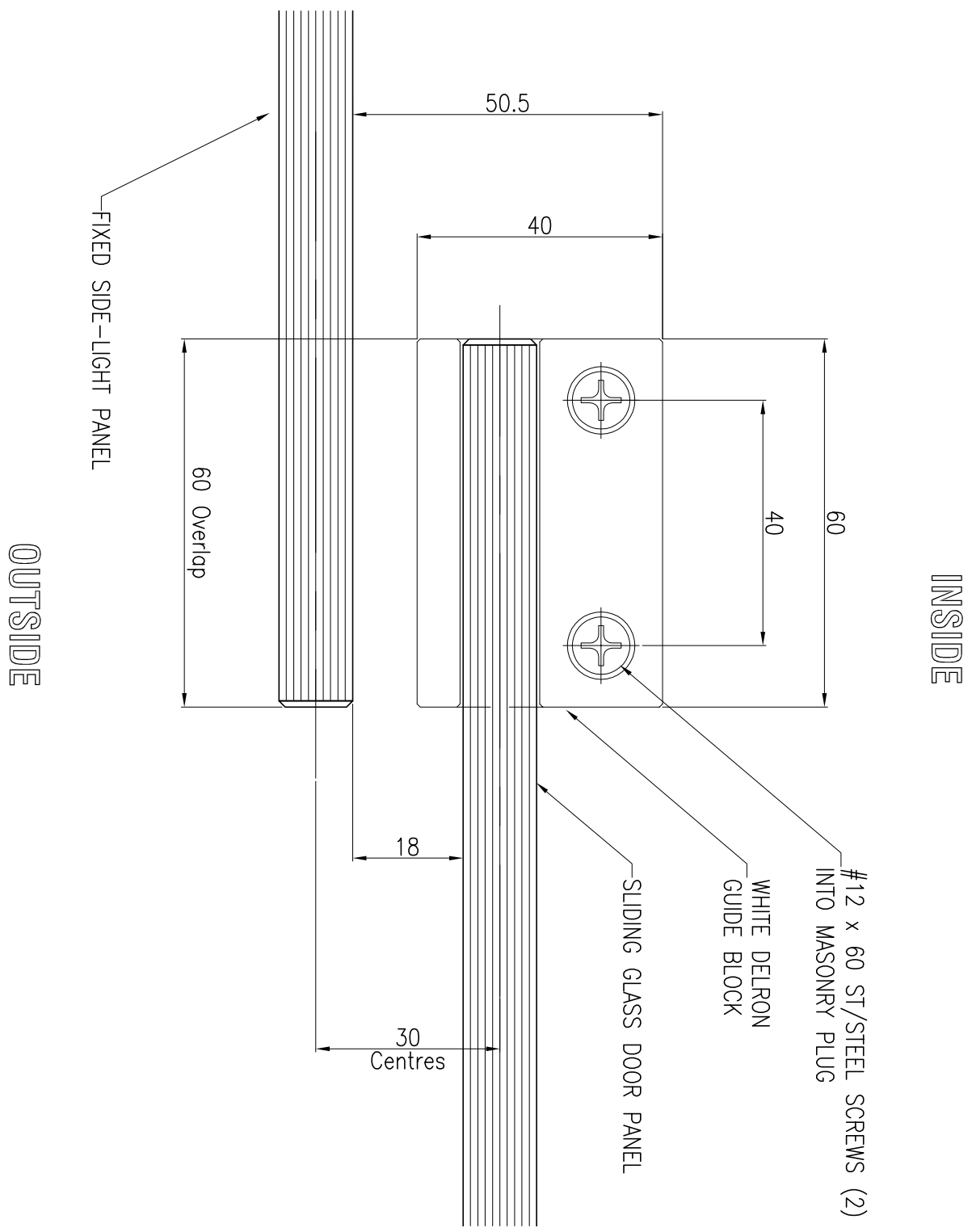
Issue	Date	Amendment	Dwgn.
-	-	-	-
-	-	-	-
-	-	-	-
-	-	-	-

**TITLE**  
**iMOTION 2301**  
**AUTOMATIC DOOR OPERATOR**  
**FRAMLESS GLASS**  
**DOOR GUIDE**

**Byrnes Entrance Technology**  
 Unit 4 Corner Bay & Atkinson Roads  
 TAREN POINT NSW 2229  
 Tel: 02 9531 5559 Fax: 02 9531 5551  
 Email: byrneset@byrneset.com.au

DRAWN JmJones	DATE 2010	SCALE NTS
SHEET SIZE A3	DRAWING NUMBER 2301-02	SHEET No. -
		ISSUE -

**SECTIONAL PLAN VIEW**



**VERTICAL SECTION**

